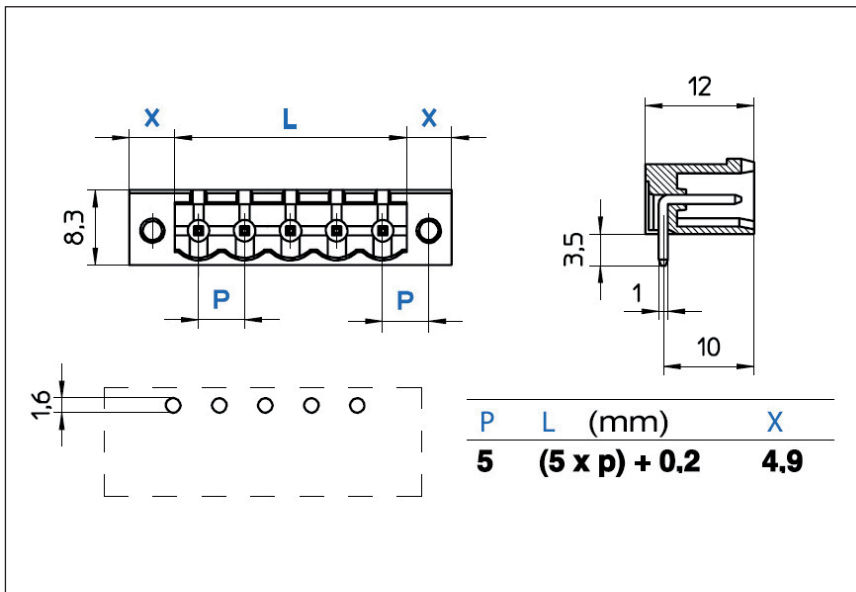


Standard Pluggable PCB Terminal Block, Horizontal Header with Screw Flange CPM5.0-SQFV

The CPM family of printed circuit board headers is used with the CPF and MRT3 pluggable terminal blocks. The CPM is available in both a vertical and 90 degree version and with either open or closed ends. A feature of the CPM header is the molded-in polarization that insures proper mating of the plug. The CPM headers are available in 2 to 24 positions and have a UL rating of 12 amps, 300 volts. The standard color is green, however other colors are available upon request.

SPECIFICATIONS

Housing Material:	PA68 Polyamide, Flammable UL94V0
Housing Color:	Green
Pin:	Tin Plated Brass
PCB Mounting Hole:	1.6 mm
Nominal Current:	12A
Voltage:	300V
Temperature Range:	-30° C to 85° C



Item	No. of Poles	Length (mm)
CPM5.0-SQFV	2	20
CPM5.0-SQFV	3	25
CPM5.0-SQFV	4	30
CPM5.0-SQFV	5	35
CPM5.0-SQFV	6	40
CPM5.0-SQFV	7	45
CPM5.0-SQFV	8	50
CPM5.0-SQFV	9	55
CPM5.0-SQFV	10	60
CPM5.0-SQFV	11	65
CPM5.0-SQFV	12	70
CPM5.0-SQFV	13	75
CPM5.0-SQFV	14	80
CPM5.0-SQFV	15	85
CPM5.0-SQFV	16	90
CPM5.0-SQFV	17	95
CPM5.0-SQFV	18	100
CPM5.0-SQFV	19	105
CPM5.0-SQFV	20	110
CPM5.0-SQFV	21	115
CPM5.0-SQFV	22	120
CPM5.0-SQFV	23	125
CPM5.0-SQFV	24	130